

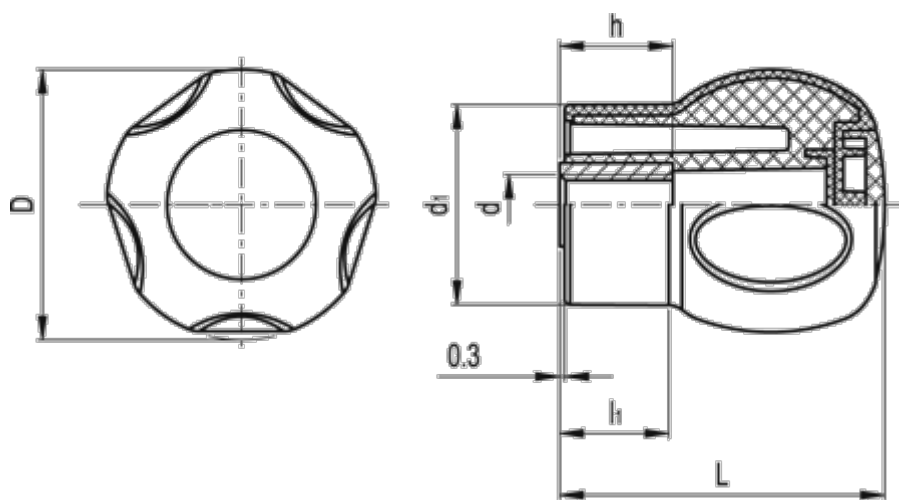
# Data Sheet



Article number: 23052452074

Description: E+G Handle  
EBK.50 B-M12-C-SOFT-C4 Gul

## Measures



D	= 50
d1	= 37
d 6H	= M12
h	= 20
L	= 60
l1	= 20
Weight (g)	= 80